

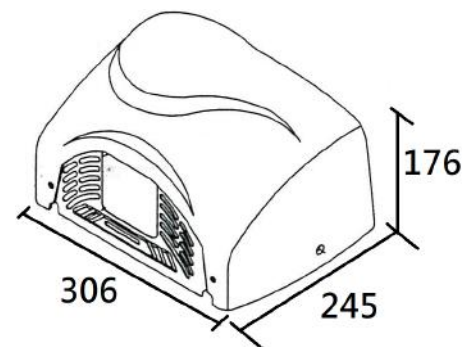


PROJECT		REF		REV	ITEM CODE	
LOCATION		DATE			PAGE	

SANITARY WARE SPECIFICATION SHEET

Item Descriptions	Solomon (Taiwan) aluminium case automatic hand dryer (unbranded), AC supply	Illustration/ Drawing
Dimensions	W306 x H245 x D176 mm	
Temperature	60~65°C (140~149°F)	
Time	Approximately 30-second drying time	
Power Supply	AC230V 50/60Hz 2200W	
Model	SHD-103	
Material/ Color	Aluminium/ White	
Manufacturer	Solomon (Taiwan)	
Source	Acme Sanitary Ware Co. Ltd Mr. Eric Wong/ Mr. Don Yuen	
Contact Tel/Fax	(852) 2388-7171 / (852) 2710-8012	
E-mail	acme@acmesanitary.com.hk	
Website	www.acmesanitary.com.hk	

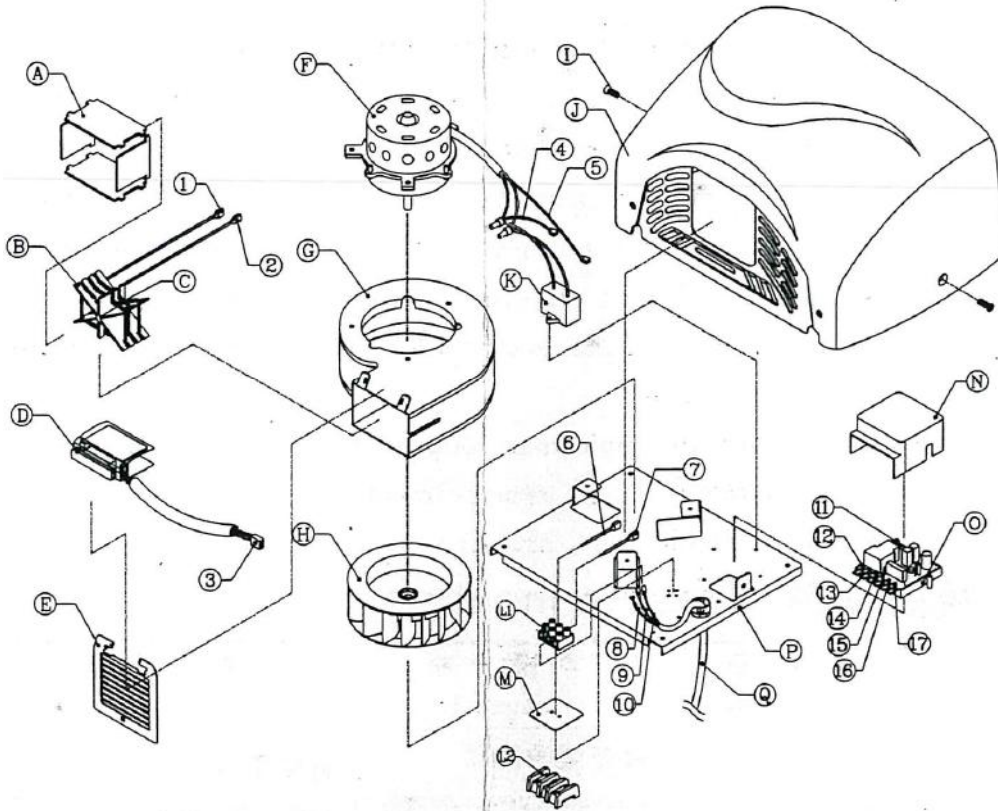
啓動方式 Activation	紅外線感應自動開啓、關閉 Activated by an infrared sensor. The machine can start and stop operating automatically.
外型尺寸 Dimensions	306mm X 245mm X 176mm (寬 X 高 X 深) 12.0" X 9.6" X 6.9" (W X H X D)
電壓/功率 Voltage/Power	230V , 50/60Hz , 2200W
感應距離 DetectionDistance	20±5cm 8±2"
熱風溫度 AirTemperature	60~65°C (140°F~149°F)
自保時間 OperationDuration	60sec±10sec (最高連續啓動時間後，自動切斷電源) (Self-protection automatic shutoff)
馬達型式、轉速 MotorType andSpeed	無刷感應式 InductionType(Brushless) , 1/8HP 2850rpm/50Hz , 3360rpm/60Hz



Note:

* All information of the above is for reference only. No prior notice is made if any changes.

零件組合圖 Exploded Diagram :



零件對照表 Parts List :

接線 WireConnection	件號 No .	零件名稱 Part Name	件號 No .	零件名稱 Part Name
1--15	A	雲母片 Mica Insulation Sheet	J	外殼 Aluminum Outer Case
2--13	B-1	電熱組 110V Heater Assembly 110V	K-1	馬達電容8uf250V Motor's Condenser 8uf250V
3--11	B-2	電熱組 220V Heater Assembly 220V	K-2	馬達電容2uf450V Motor's Condenser 2uf450V
4--12	C	溫控開關 Thermostat	L-1	結線座(TUV) Terminal Seat (TUV)
5--17	D	SENSOR組 Sensor Assembly	L-2	結線座(UL) Terminal Seat (UL)
8--地線	E	出風口柵片 Air Louver	M	絕緣片 Insulator
9-6-14	F-1	馬達110V Motor 110V	N	機板護罩 Power PCB Cover
10-7-16	F-2	馬達220V Motor 220V	O-1	機板110V Power PCB 110V
	G	風鼓 Fan Cover	O-2	機板220V Power PCB 220V
	H	風葉 Fan	P	底座 Metal Back Plate
	I	防盜螺絲 Security Screws	Q	電源線 Power Cord

產品特色 Features :

1. 當手靠近出風口下方約15公分內，本機即自動感應啓動吹出熱風，當手一離開出風口，立即切斷電源停止。
 2. 感應器需感應0.5秒後才動作，避免物體從感應區經過，造成不正常啓動。
 3. 不當操作或120°C以上過熱時，隱藏式安全裝置會自動切斷電源，以避免物件不正常恆啓動。
 4. 連續操作超過60秒後，會自動切斷電源，以避免因異物附著感應器使機器持續動作。
 5. 集中之強勁暖風可在30秒內將手上水份迅速烘乾。
 6. 此機件耐壓測試1500V/3sec，絕緣測試10MΩ以上，對漏電流有預防作用，安全性高。
1. The machine can start operating automatically when user's hands are put around 20cm (7.78") below the sensor which is next to air louver on the bottom of the hand dryer. Whenever the hands are moved out of sensing range, the machine will stop running immediately.
 2. There is 0.5 second of time delay which may help avoid false triggers when unexpected objects pass by the sensor.
 3. When the air temperature is over 120°C or an incorrect usage is happened, the security device will shut off the power of heater.
 4. For safety device, the machine will immediately stop operating when it is used continuously over 60seconds. The machine can be reset right away to standard position when hands are moved away.
 5. Because this hand dryer is equipped with a powerful motor and fan, and an efficient electric heater, the hot air produced will be able to dry the wet hands within 30seconds.
 6. This machine can withstand at least 1,500V. for 3 seconds of Hi-pot and 10MΩ dielectric testing for leakage current protection.

感應距離調整 Sensing Distance Adjustment :

1. 請先拆卸外殼上之防盜螺絲後將外殼拆下。(請參考零件組合圖)
 2. 參照零件組合圖找到感應器位置。
 3. 使用小隻螺絲起子旋轉VR(1)增加感應距離，反向旋轉VR(1)可縮短感應距離。
 4. 感應距離調整完後，裝上外殼鎖回防盜螺絲。
1. Loosen Security Screws and remove Aluminum Outer Case.
 2. Refer to Exploded Diagram, and find out the location of sensor device.
 3. Use a tiny flat screwdriver to turn Sensing Distance VR Switch in clockwise direction to lengthen the sensing distance. Turn the switch in counter-clockwise direction to shorten the sensing distance.
 4. After finishing the adjustment, put back Aluminum Outer Case and fasten the Security Screws.